

STEAMASTER 2000 SERIES

The Safe Way to Deliver Hot Water

Fail-Safe, and Then Some



STREAMLINE WASHDOWN EQUIPMENT, INC.

General Description

The Steammaster 2000 Series instant hot water makers were designed to safely blend steam and cold water together to provide hot water on demand. Wherever there is a need for hot water to wash-down floors, process equipment, vessels, vats or vehicles, the Steammaster can supply the hot water you need at a temperature that you select, and deliver it safely. Should the cold water fail, the steam is instantly shut-off. All units are furnished with control valves, a dial thermometer, in-line check valves, hose rack, mounting plate, and mounting hardware.

Performance Parameters

- 1 Recommended inlet water temp. 60°F
- 2 Maximum operating temp. 200°F
- 3 Maximum Operating Pressure 150 PSI

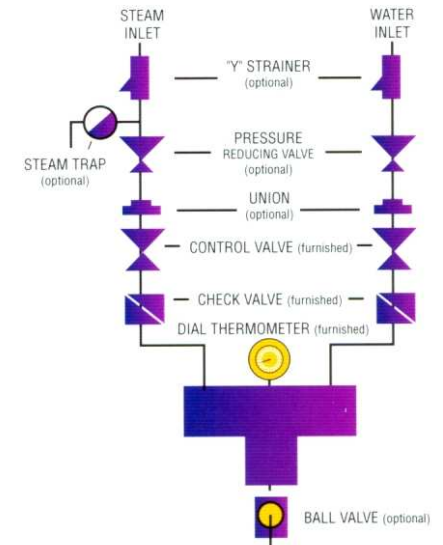
Accessories

Globe style control valves, in-line check valves, and a dial thermometer are furnished as standard equipment. Other accessories not furnished, but recommended are 'y'-strainers, unions, a steam trap, ball valve, and a pressure reducing valve when required. (See installation recommendations)

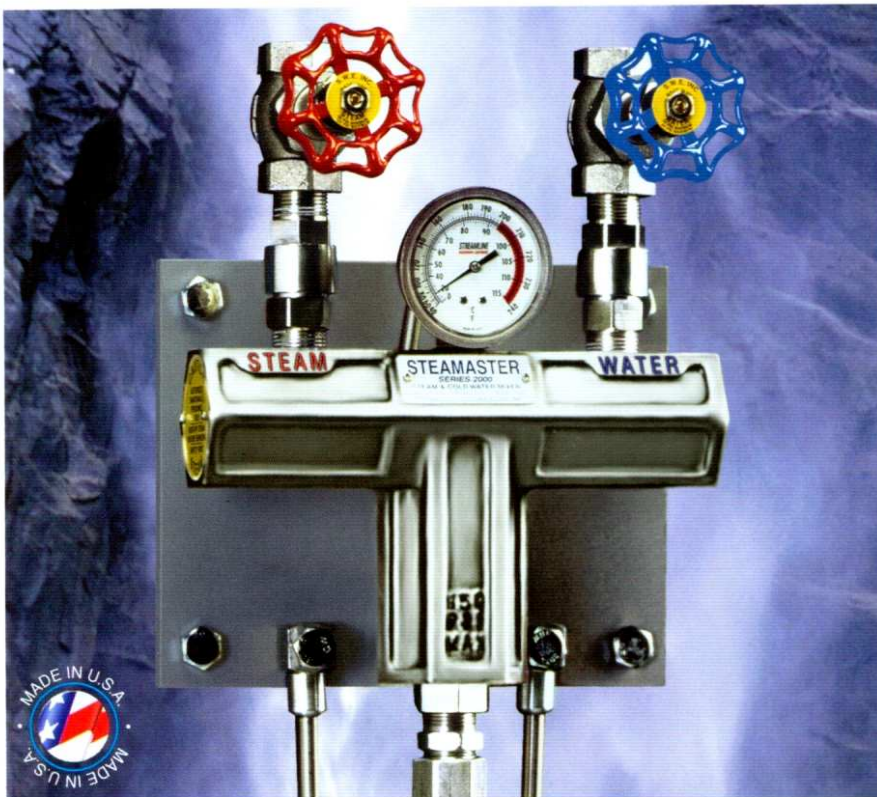
Inlet & Outlet Connections

All inlet and outlet connections are 3/4" FNPT.

Installation Recommendations



- A** Operating pressures (lower left) are mandatory for satisfactory performance.
- B** If overheating occurs due to system malfunctions i.e. restrictions in pipelines, etc., immediately turn down steam valve. If overheating occurs due to uncontrollable pressure fluctuations, a pressure regulator will be required.
- C** Limitations in use: not for use with superheated steam.



All Stainless Steel **STEAMMASTER 2000-SS**

MINIMUM AND MAXIMUM PRESSURE REQUIREMENTS

STEAM PRESSURE		WATER PRESSURE	
Minimum	Maximum	Minimum	Maximum
80 PSI	150 PSI	50 PSI	80 PSI

Testing

All units are performance tested prior to shipment.

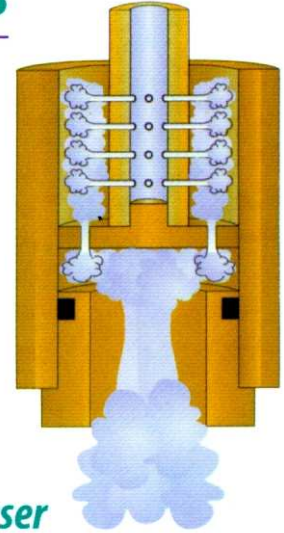
Technical Services

Full technical advice and information is available by calling the number:

(937) 558-2497

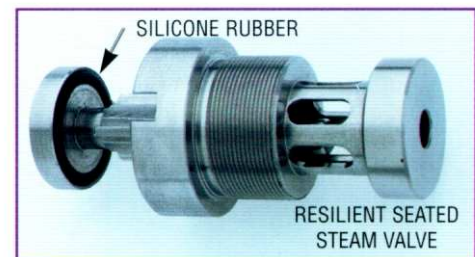


Special Features



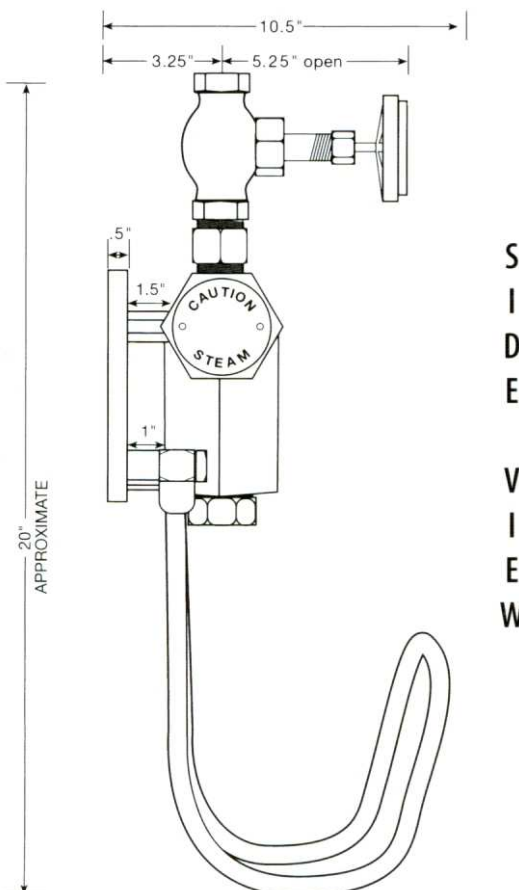
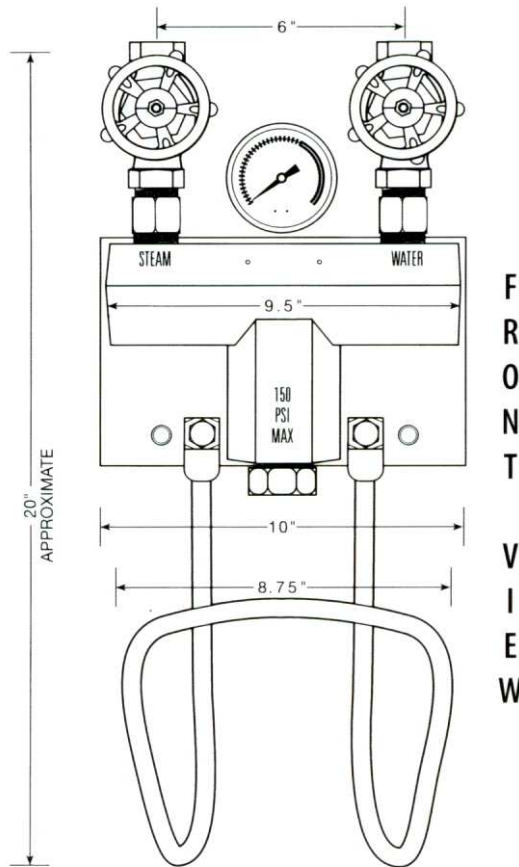
Steam Diffuser

The steam enters the blending chamber via a unique, specially designed steam diffuser. Instead of a single steam jet found in competitive units, our unique steam diffuser disperses the steam into the water in the blending chamber through not one, but 40 different steam injectors. This results in a complete and thorough blending of the steam and water, for a more efficient and substantially quieter operation.



Fail-Safe Design

On cold water failure, the steam is instantly shut-off. This is accomplished with a spring loaded resilient seated valve that closes when there is no water pressure. The resilient seat gives you zero leakage, reduces excessive seat wear, and helps prevent sticking due to the build up of hard water deposits on the seating surfaces.



unit is spaced 1" from wall to comply with health and sanitary regulations.

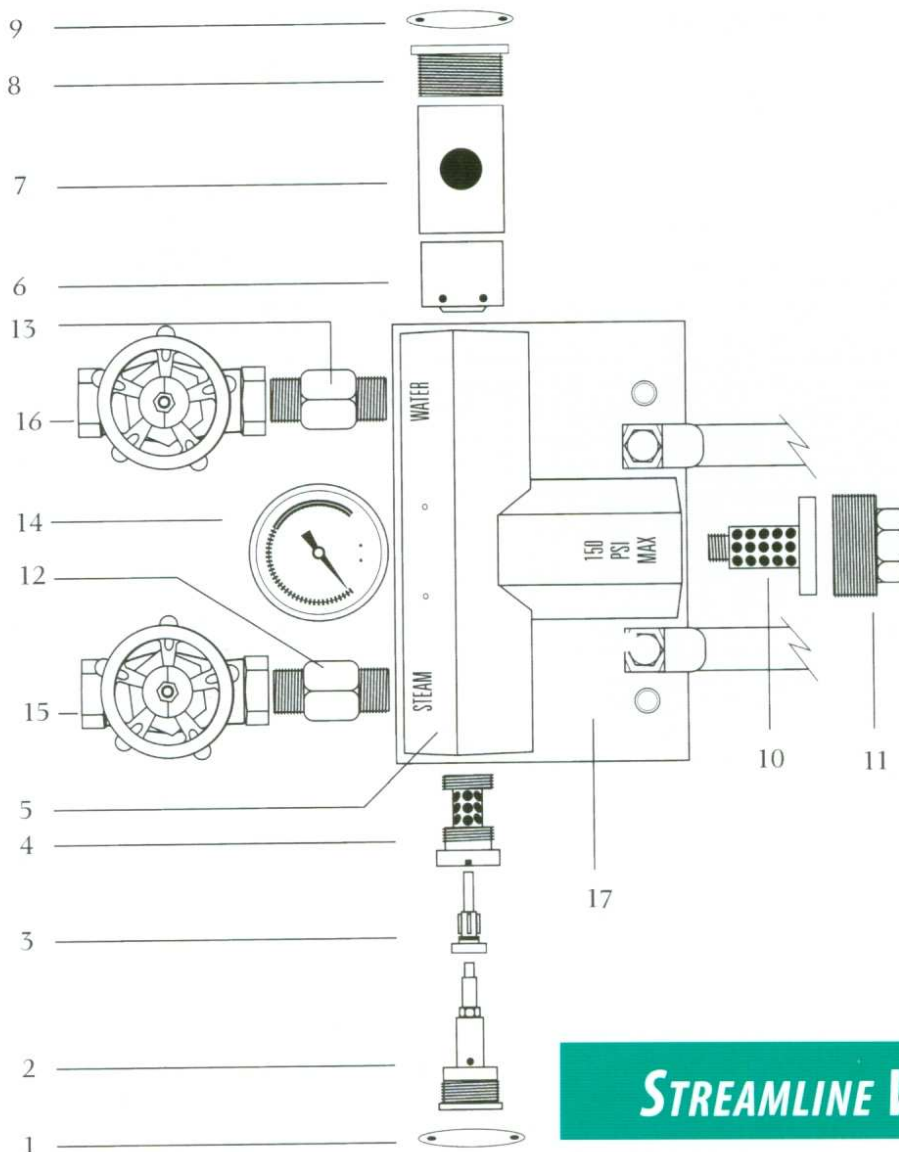
Flex-Master 250 Hose Assemblies

Streamline's Flex-Master 250 was engineered to be a safe, stable and economical washdown hose. The lightest, easiest handling hose in its pressure class.

- Backed by safety margins that exceed the industries standard 4:1 ratio.
 - Rated at 250psi-200°F
 - New high-tech horizontal braiding and high-strength textile filaments applied at precise angles eliminated the weight, yet increases strength.
 - Abrasion-resistant Neoprene Cover with the sure-grip impression wrapped finish protects the hose from the hazards of chemicals, fats, and moisture.
- Flex-master 250 gives you better flexibility, easier handling, and a new standard for strength in lightweight construction.



All Flex-Master 250 hose assemblies are furnished with stainless steel internal spring guards, and roughneck ferrules at both ends. Standard hose end fittings are 1/2" male NPT spt swivel at one end, and a 3-piece 3/4" male NPT source fitting at the other end. Hoses available in black, red and white.



Parts List • Steammaster 2000

- 1 Steam I.D. Tag (ALUM.)
- 2 Poppet Actuator (BRASS/SS)
- 3 Steam Poppet (SS)
- 4 Steam Injector (SS)
- 5 Mixer Body (BRZ or SS)
- 6 Water Thrust Cup (SS)
- 7 Thrust Cup Housing (BRASS)
- 8 End Adaptor (SS)
- 9 Water I.D. Tag (ALUM.)
- 10 Steam Diffuser (SS)
- 11 Hose Adaptor (SS)
- 12 Steam Check Valve (BRASS or SS)
- 13 Water Check Valve (BRASS or SS)
- 14 Temperature Gauge (SS)
- 15 Steam Control Valve (BRZ or SS)
- 16 Water Control Valve (BRZ or SS)
- 17 Mounting Bracket (ALUM.)

Material Selection Codes

- SS Stainless Steel Body & Valves
 PSS Polished Stainless Steel Body and Valves
 BRZ Bronze Body and Valves

STREAMLINE WASHDOWN EQUIPMENT, INC.



OHIOCRAFT INDUSTRIAL PRODUCTS

www.ohiocraft.com
 (937) 558-2497 Phone
 (937) 698-1247 Fax

We Don't Just Build Product... We Continually Perfect Them.